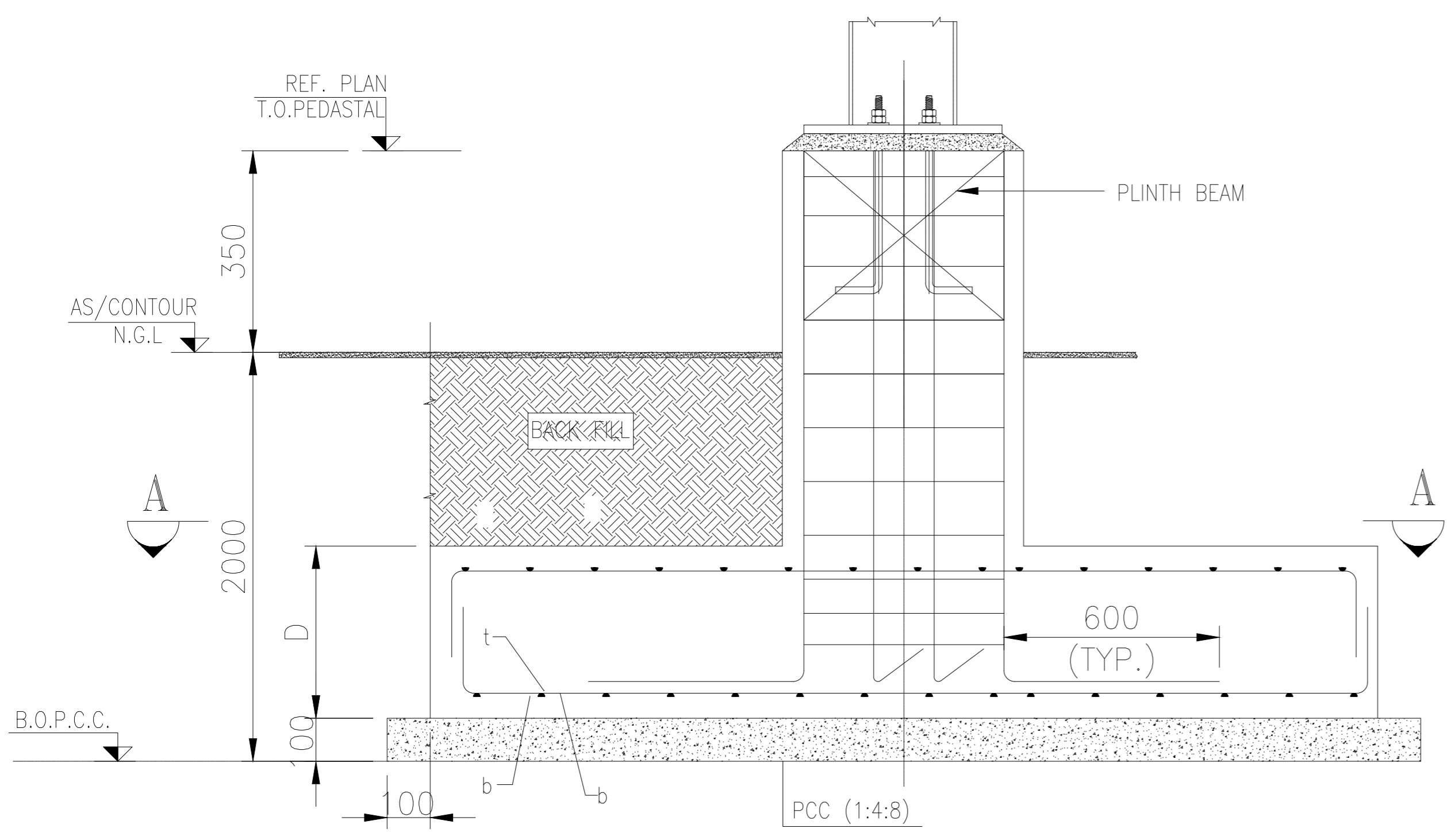


FOUNDATION PLAN

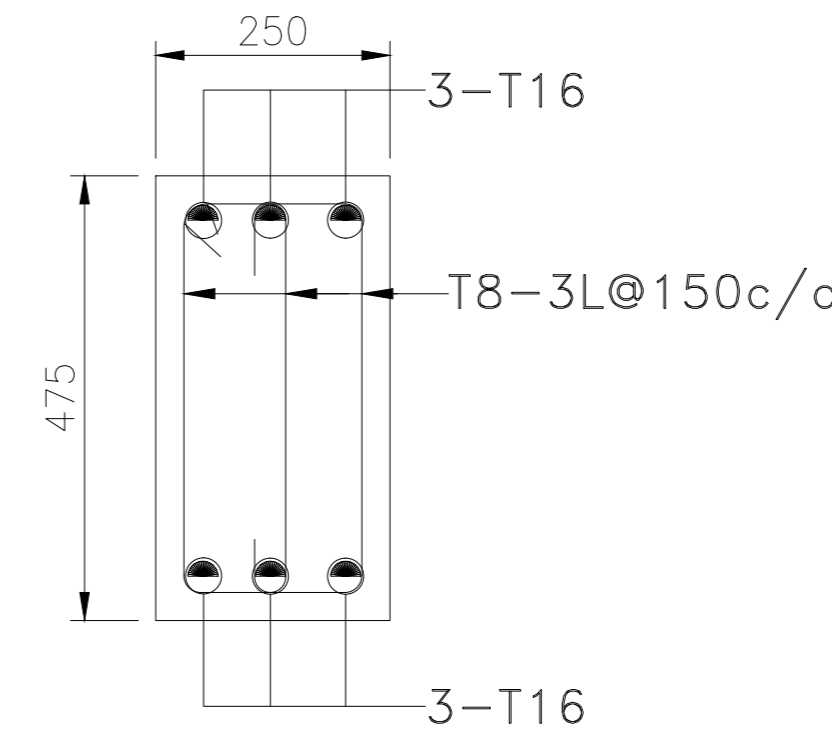
- NOTES:**
 1. ALL DIMENSION ARE IN MM.
 2. WRITTEN DIMENSIONS TO BE FOLLOWED ONLY.

Project:	Drawn by:	Checked by:	Date:06.02.2021
	Drawing Title:		Scale: N.T.S
FOUNDATION PLAN		Dwg No:	Rev.
		FD-01	R0

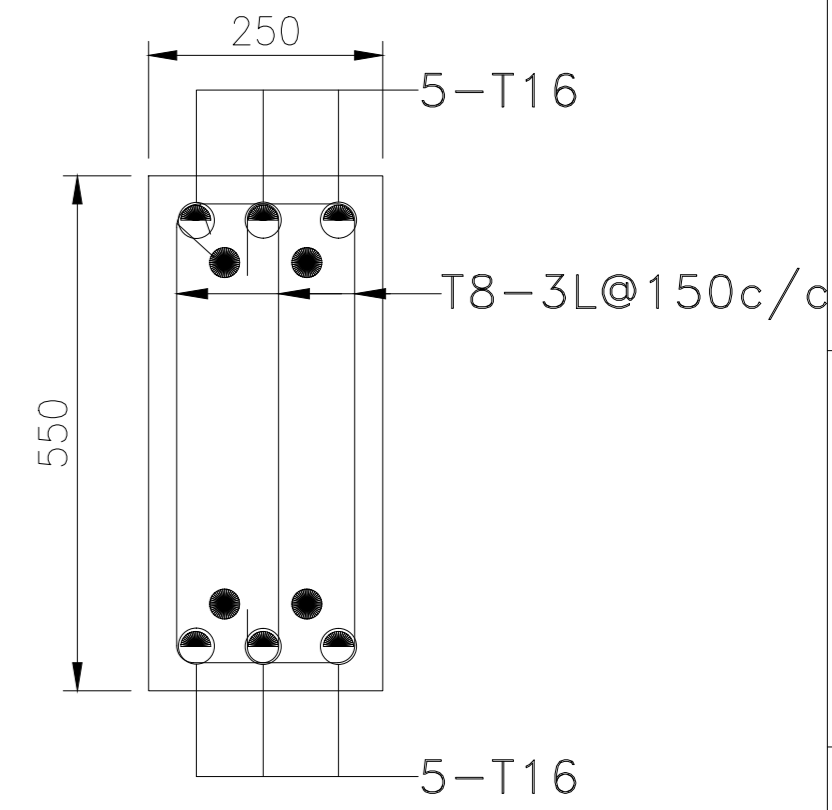


TYP. DETAIL OF FOOTING

DETAIL OF PEDESTAL	
SIZE	(400x600)
MAIN REINF	10-T16
TIES SET	3/SETS
	T8@150C\C
CONC. MIX	M-25(MIN)
FOR P1	



PB1(250x475)



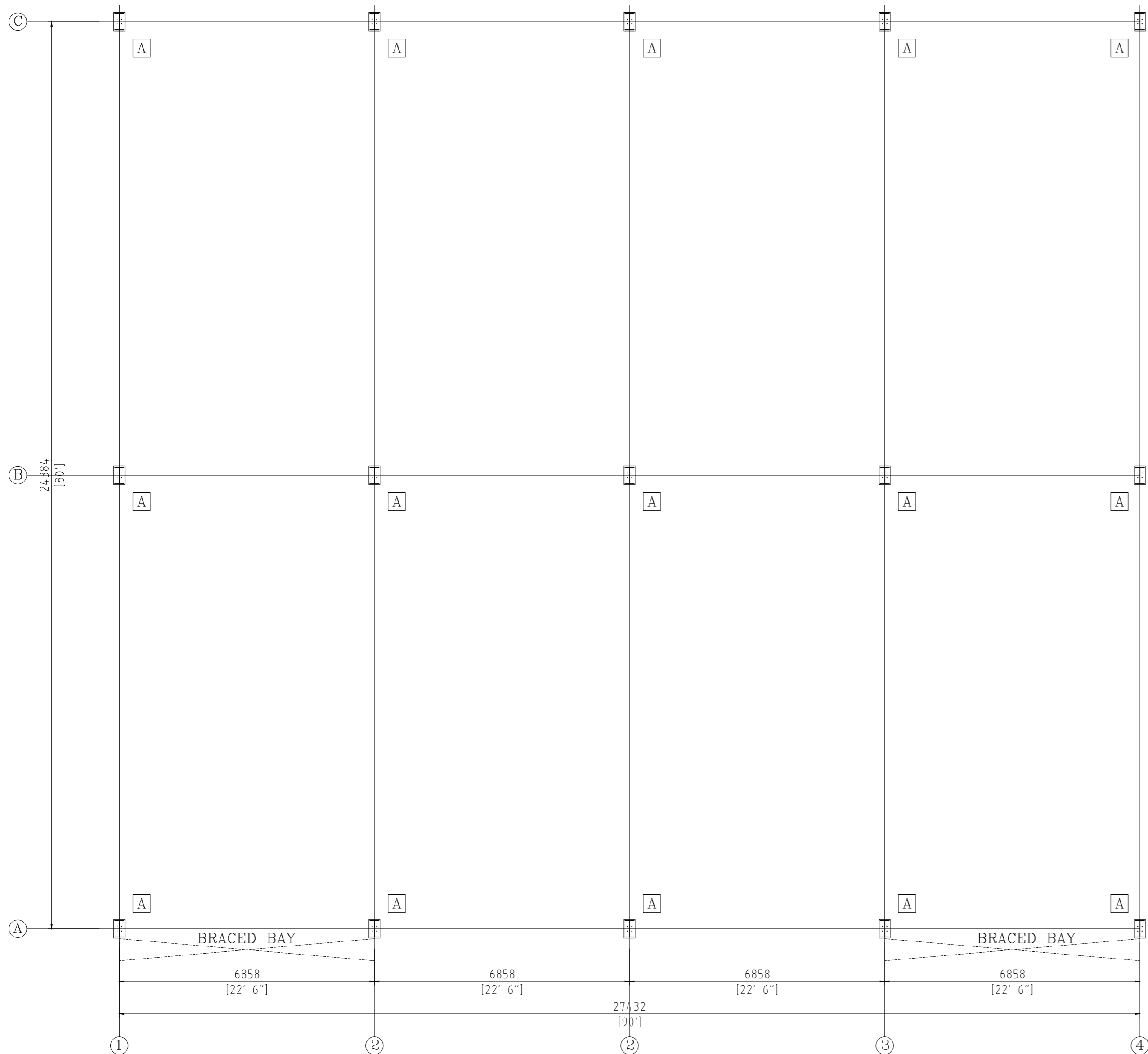
PB2(250x550)

SCHEDULE OF FOUNDATION

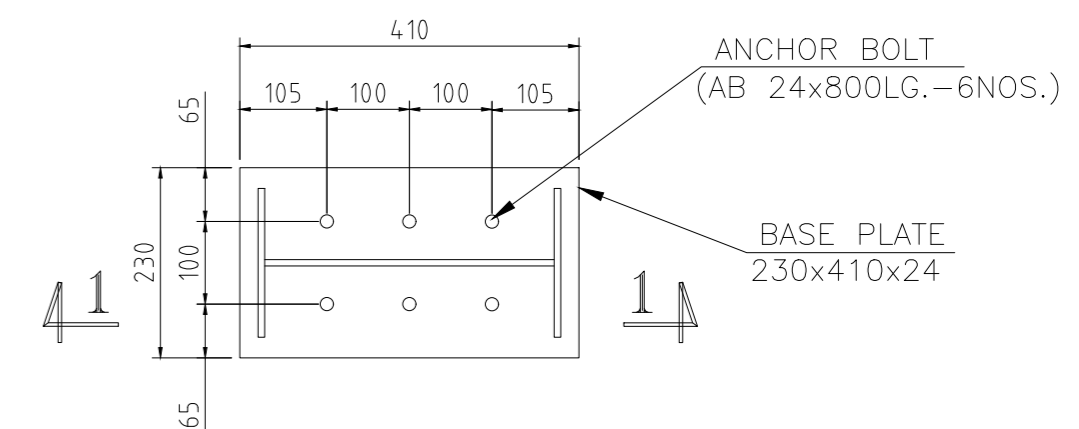
MARKING NO.	GEOMETRY			REINFORCEMENT	
	LENGTH	WIDTH	THICKNESS	BOTTOM REINFORCEMENT (BOTH WAYS)	TOP REINFORCEMENT (BOTH WAYS)
	L	B	D	B	T
F1	2000	2000	300	T12@150 mm c/c	T12@200 mm c/c

- NOTES:**
- ALL DIMENSION ARE IN MM.
 - WRITTEN DIMENSIONS TO BE FOLLOWED ONLY.

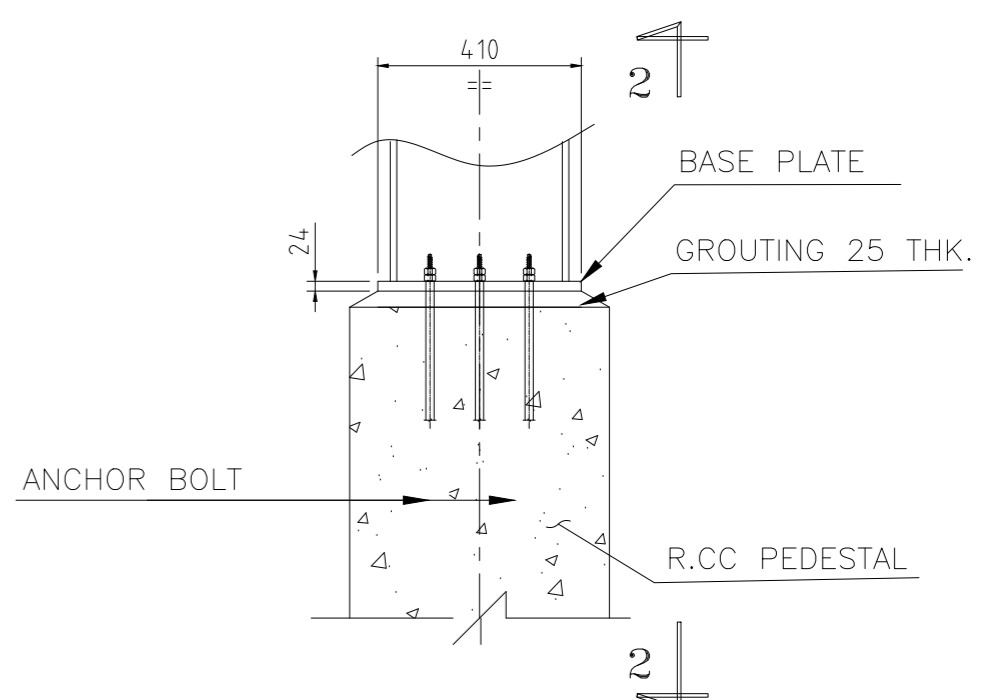
Project:	Drawn by:	Checked by:	Date:06.02.2021
	Drawing Title:		Scale: N.T.S
RCC DETAIL		Dwg No:	Rev.
		FD-002	R0



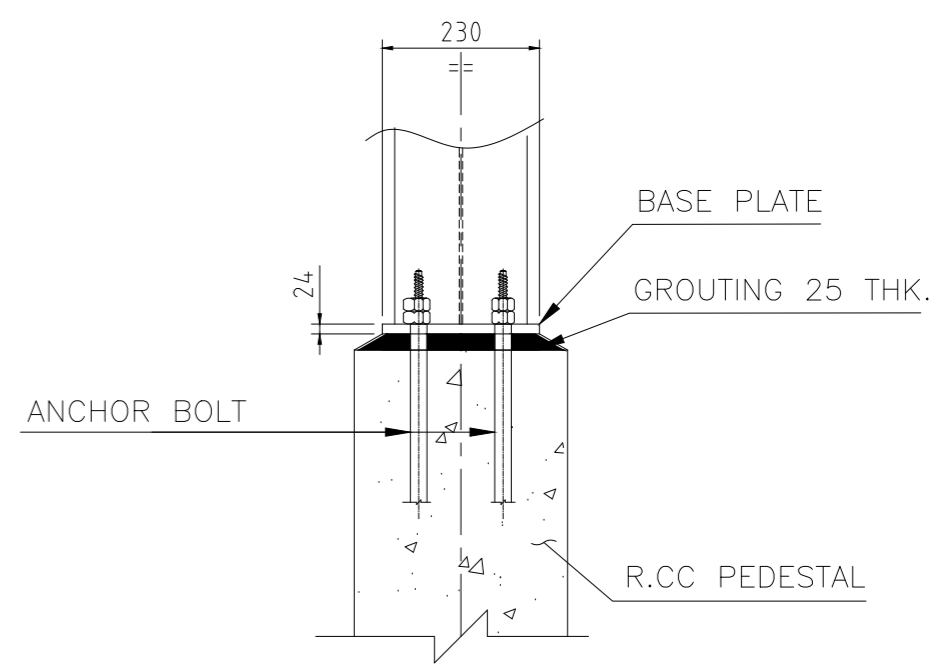
ANCHOR BOLT PLAN



DETAIL-A



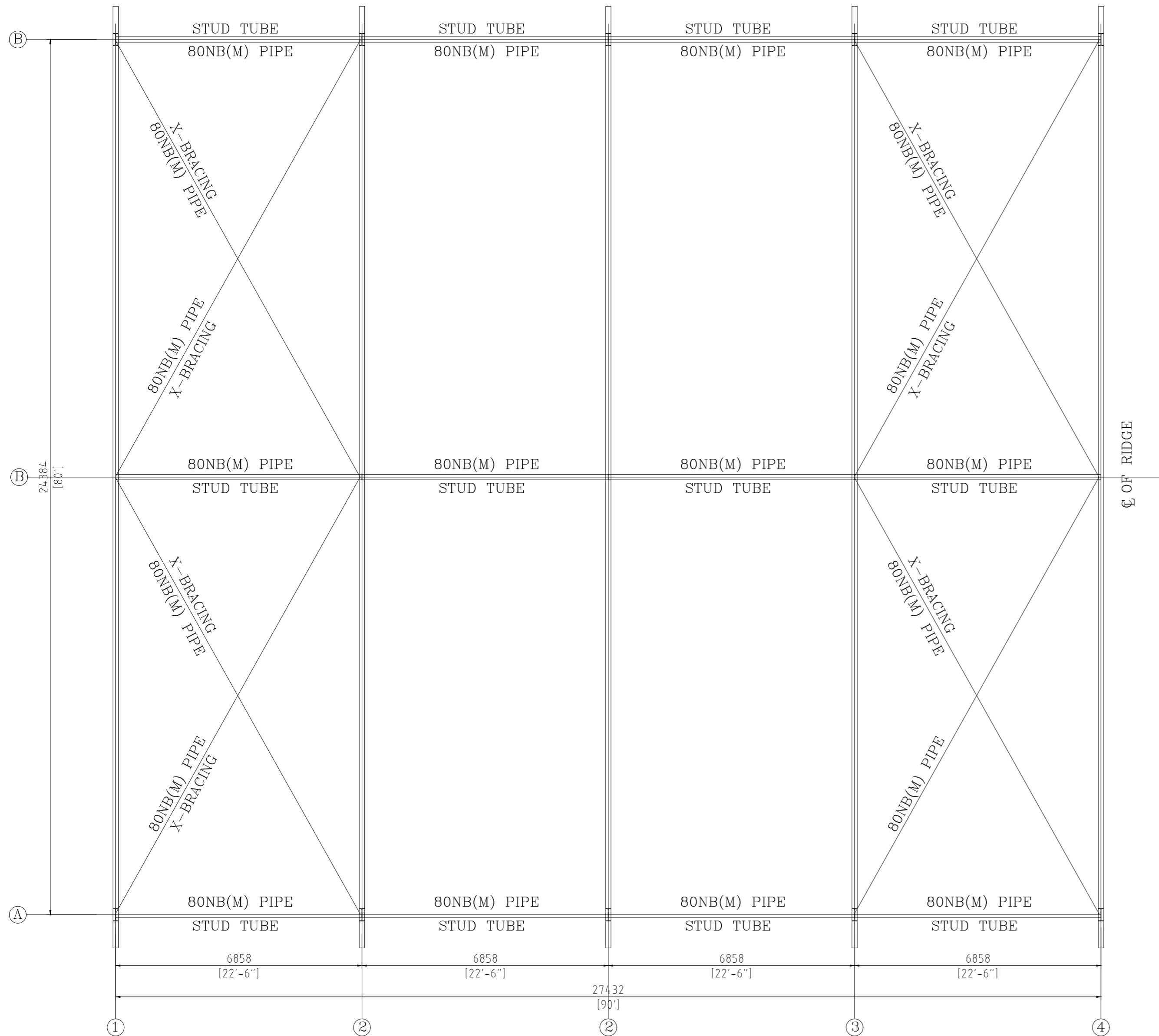
SECTION 1-1



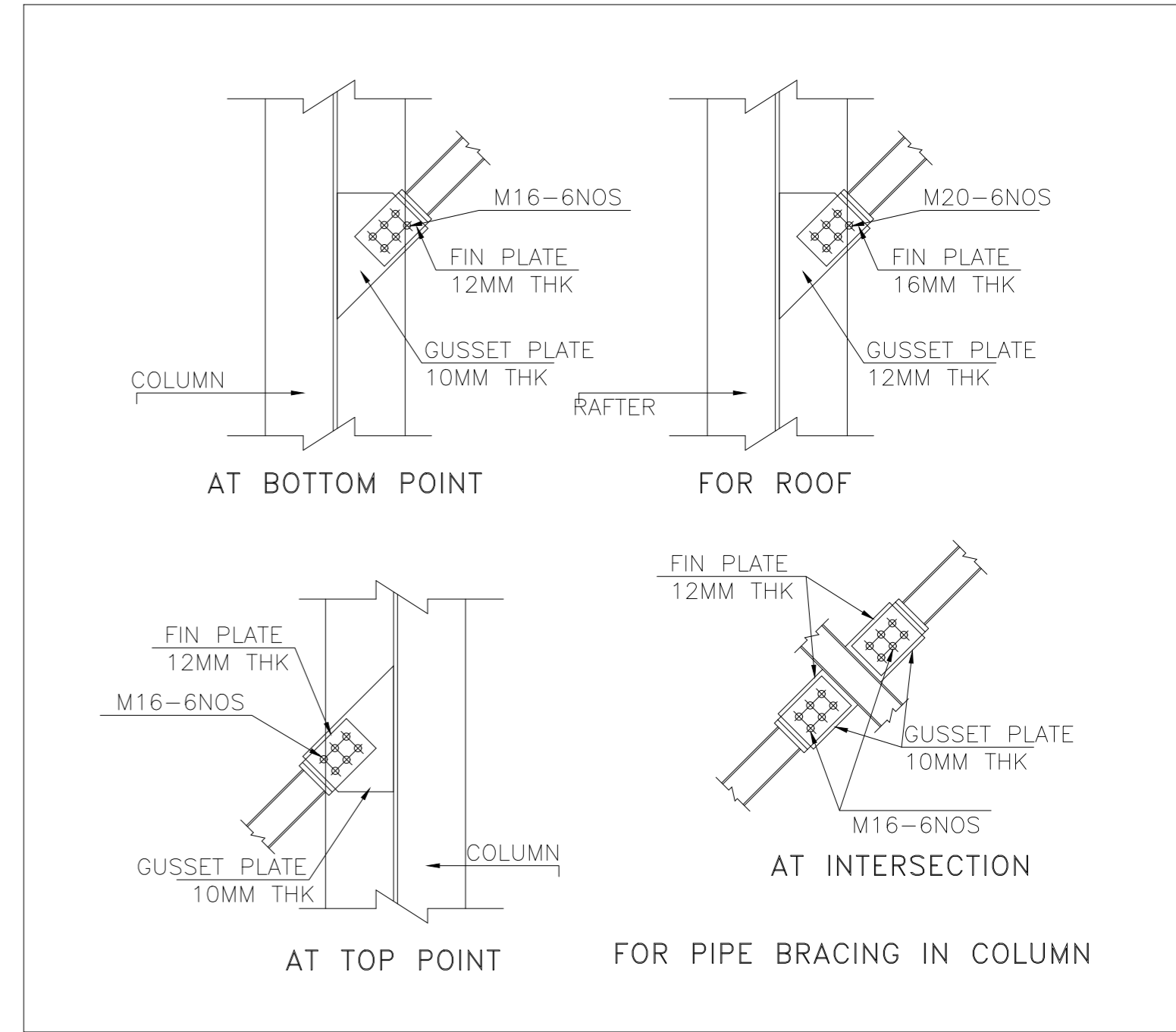
SECTION 2-2

- NOTES:**
1. ALL DIMENSION ARE IN MM.
 2. WRITTEN DIMENSIONS TO BE FOLLOWED ONLY.

Project:	Drawn by:	Checked by:	Date:06.02.2021
	Drawing Title:		Scale: N.T.S
ANCHOR BOLT PLAN		Dwg No:	Rev.
		GA-1	R0



ANCHOR BOLT PLAN



NOTES:

1. ALL DIMENSION ARE IN MM.
2. WRITTEN DIMENSIONS TO BE FOLLOWED ONLY.

Project:

Drawing Title:

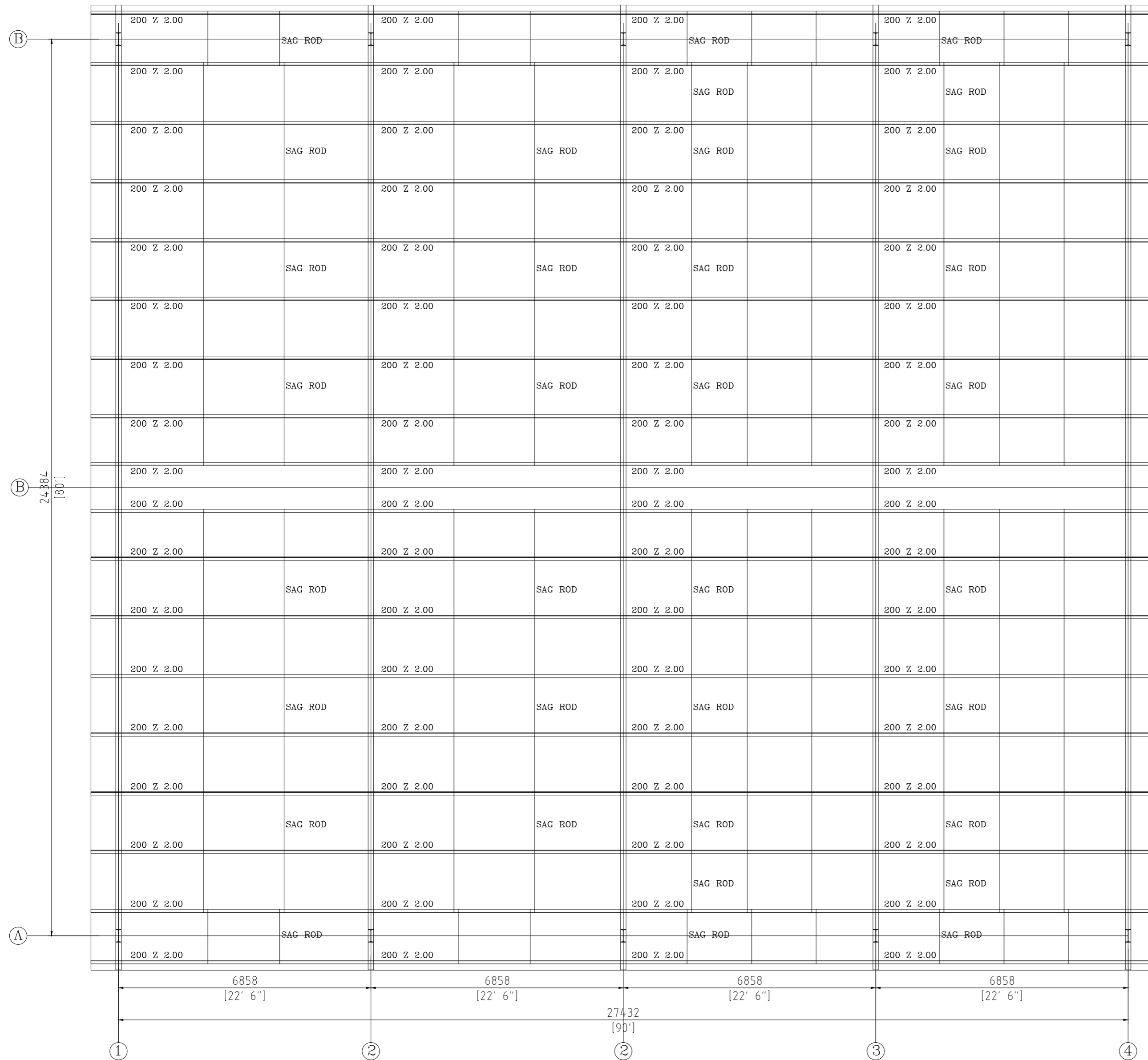
ROOF BRACING PLAN

Drawn by: Checked by: Date:06.02.2021

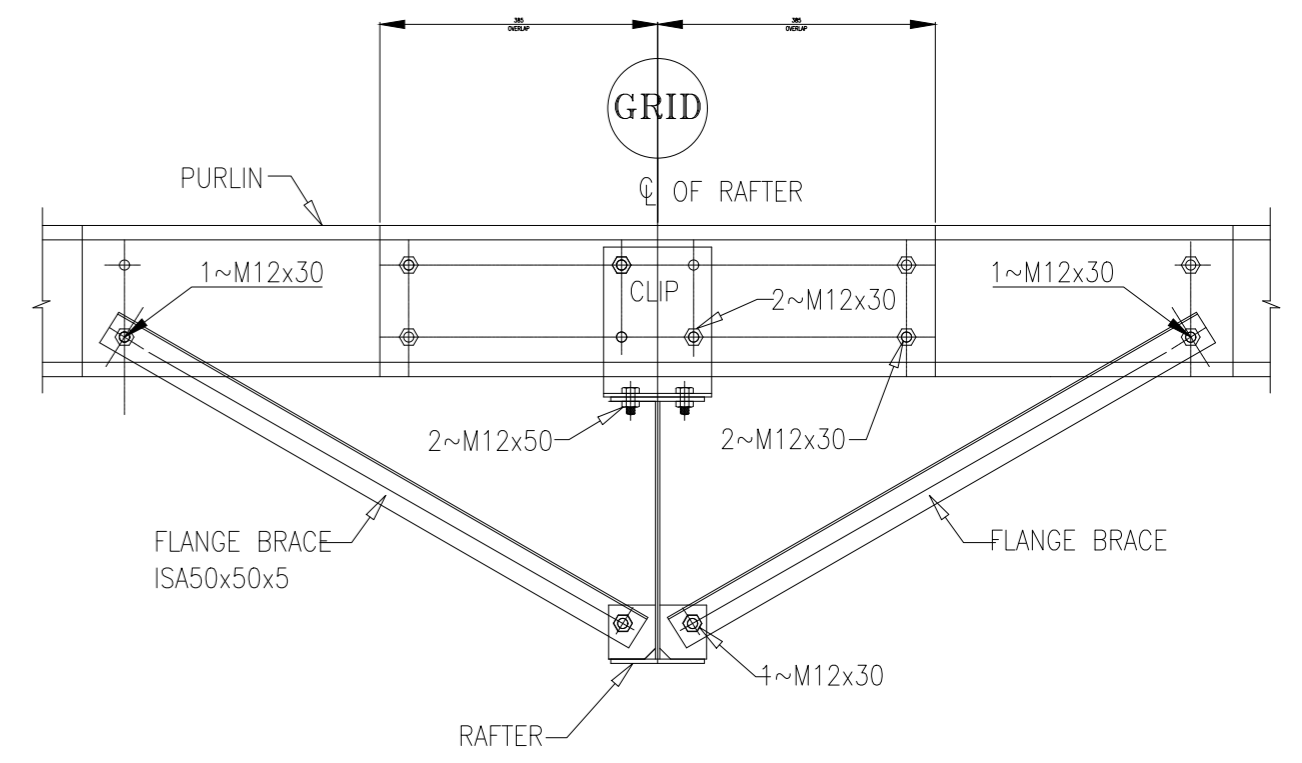
Scale: N.T.S

Dwg No: Rev. R0

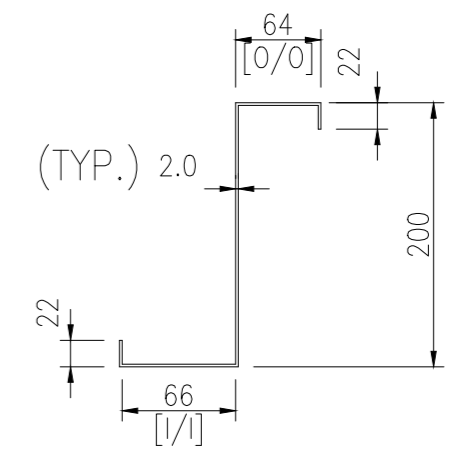
GA-2



ANCHOR BOLT PLAN



PURLIN/GIRT CONNECTION BOLTS DETAILS



ROOF PURLIN

NOTES:

1. ALL DIMENSION ARE IN MM.
2. WRITTEN DIMENSIONS TO BE FOLLOWED ONLY.

Project:

Drawing Title:

ROOF PURLIN PLAN

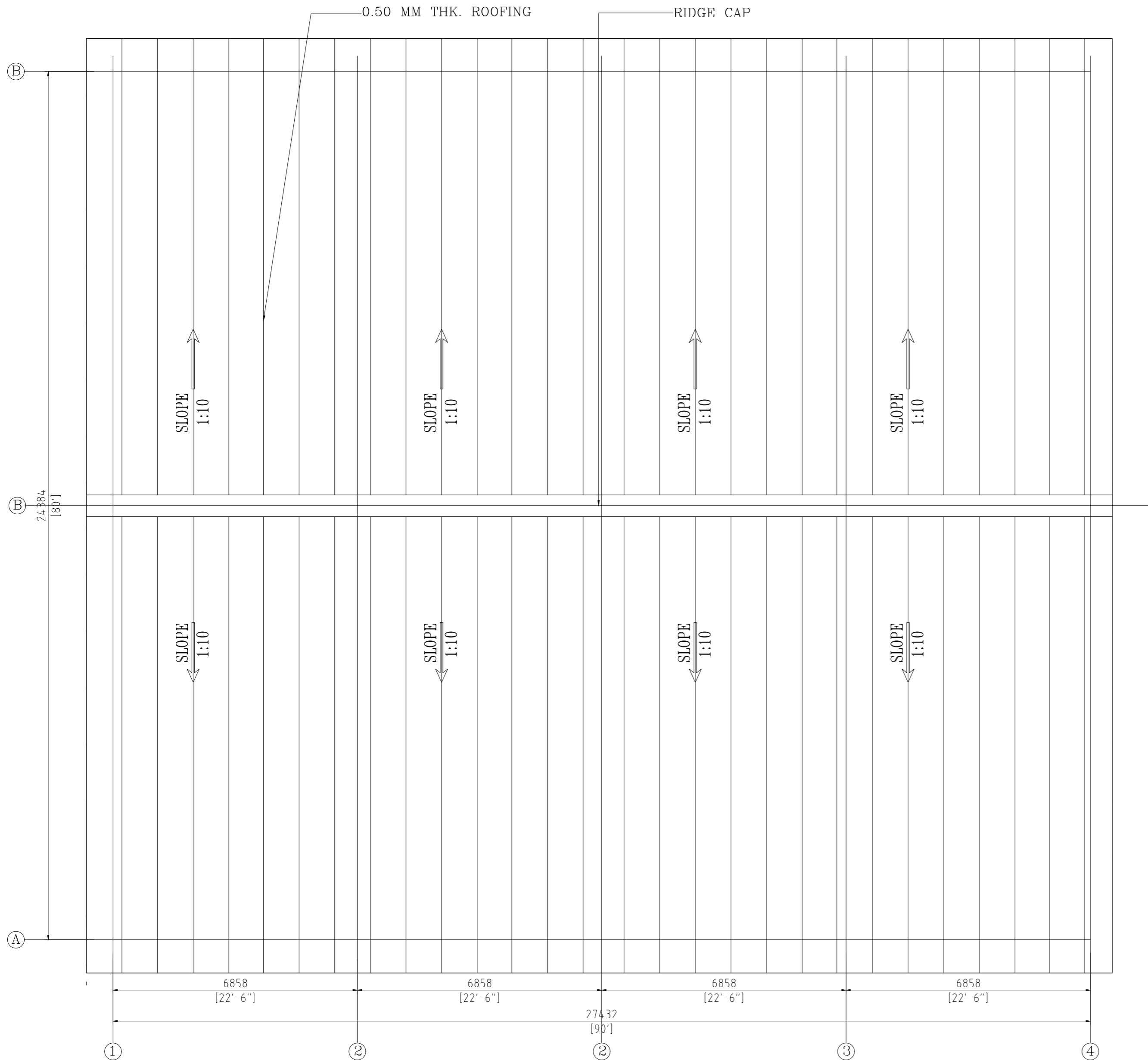
Drawn by: Checked by: Date:06.02.2021

Scale: N.T.S

Dwg No: Rev. R0

GA-3

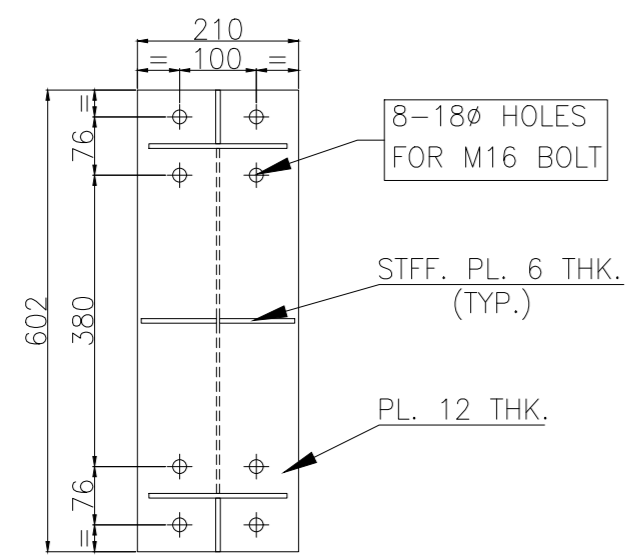
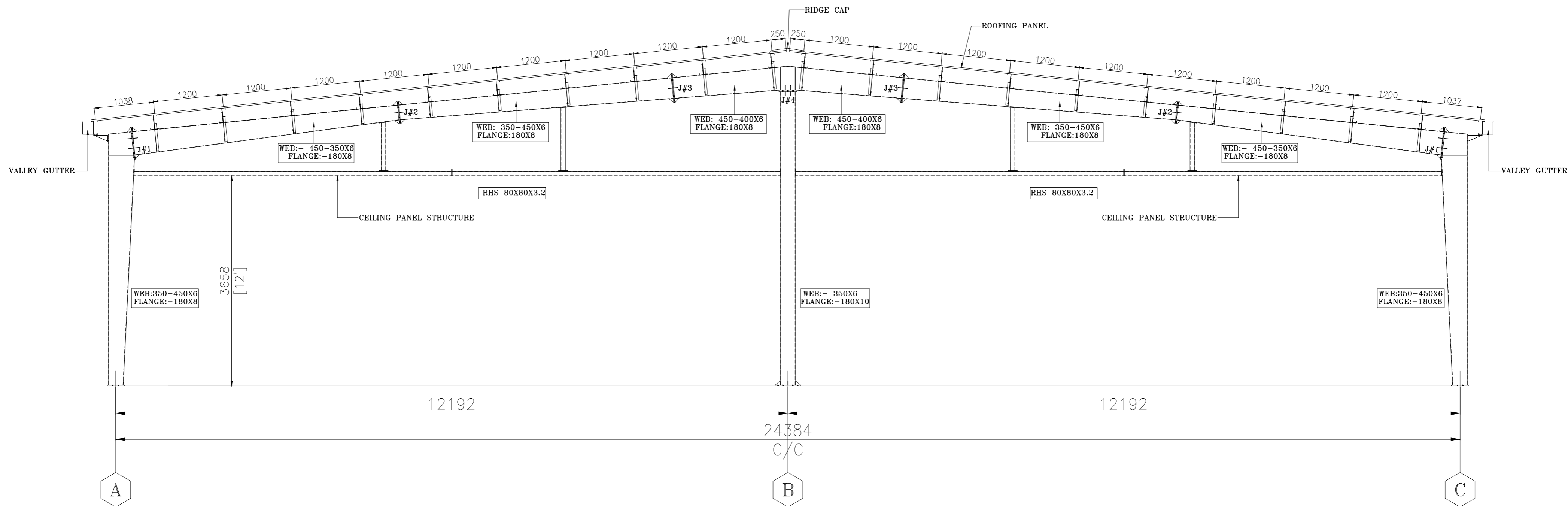
R0



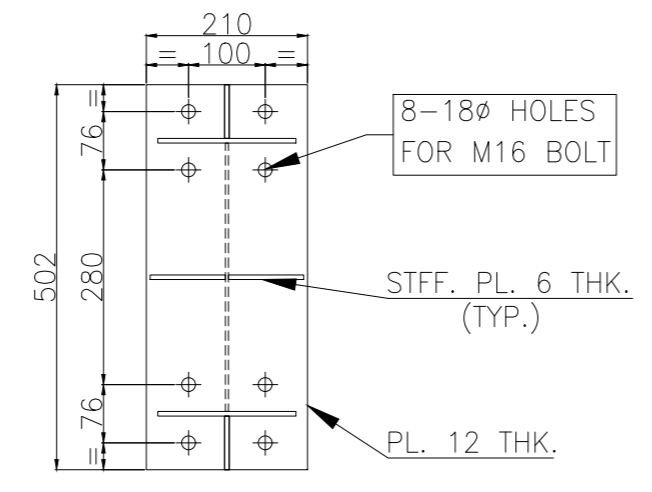
ANCHOR BOLT PLAN

NOTES:
 1. ALL DIMENSION ARE IN MM.
 2. WRITTEN DIMENSIONS TO BE FOLLOWED ONLY.

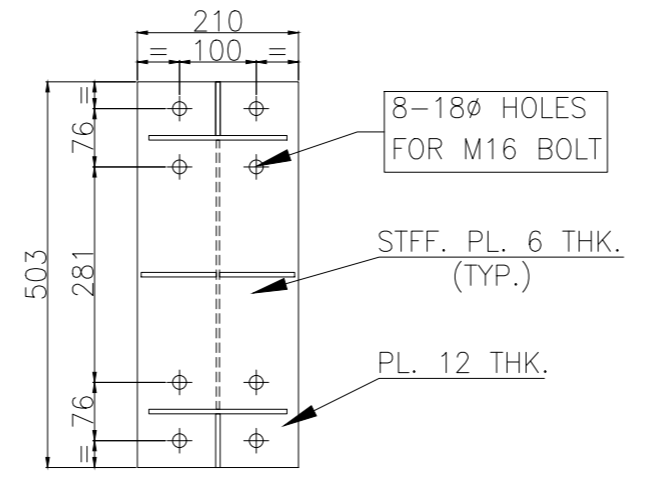
Project:	Drawn by:	Checked by:	Date:06.02.2021
			Scale: N.T.S
Drawing Title:	ROOFING PLAN		Rev. R0
	Dwg No:	GA-4	



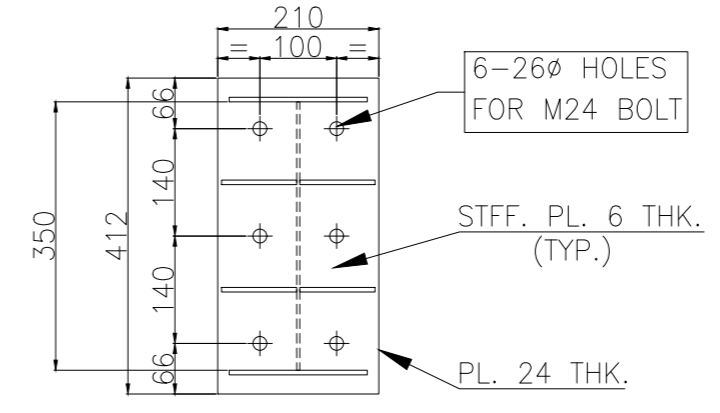
DETAIL OF J#1



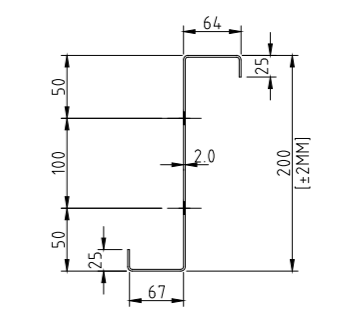
DETAIL OF J#2



DETAIL OF J#3



DETAIL OF J#4



DETAIL OF PURLIN

NOTES:
 1. ALL DIMENSION ARE IN MM.
 2. WRITTEN DIMENSIONS TO BE FOLLOWED ONLY.

Project:	Drawn by:	Checked by:	Date:06.02.2021
	Drawing Title: MAIN FRAME SECTION		Scale: N.T.S
	Dwg No: GA-5	Rev: R0	